

TWF TIEFBAUTECHNIK

Rental | Sales | Service



MRS - LIGHT

Temporary and Mobile ground protection systems

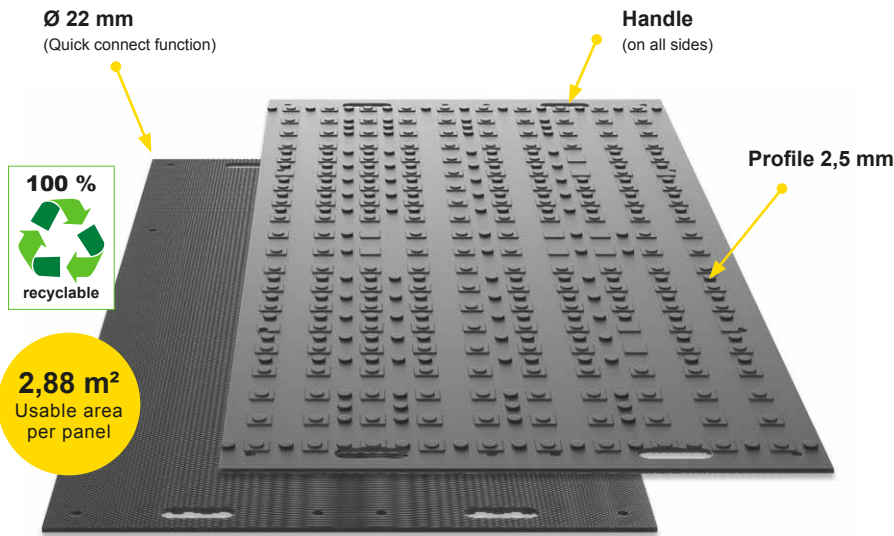
www.twf-tiefbautechnik.de

www.twf.at

OPERATING MANUAL

► MRS Light - Operating Manual

■ MRS Light



► Properties

The **MRS - light** is extremely flexible and elastic, adapts perfectly the respective surface and protects sensitive surfaces.

Material: polyethylene, high molecular weight

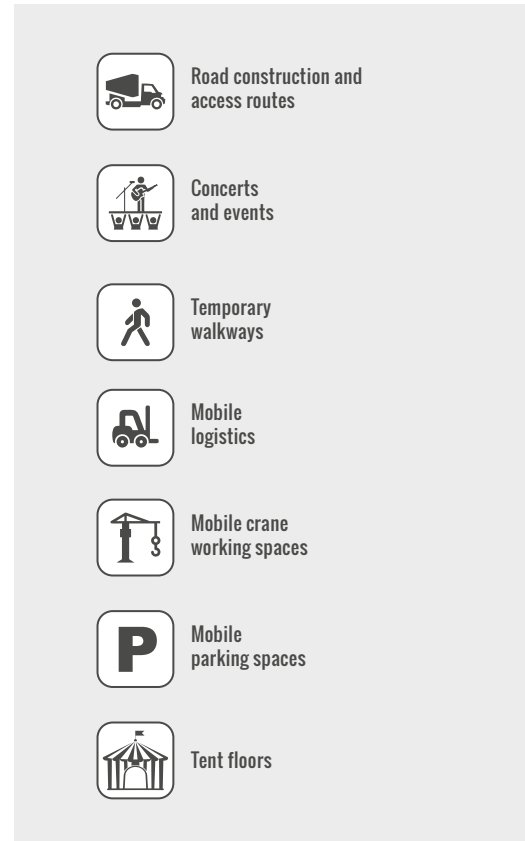
Dimensions: 2400 x 1200 x 17 mm (including profile)

Weight per panel: approx 36 kg

Surface / Colour: 2,5 mm profile on one side / black-coloured

Load capacity: approx 60 t (depending on the ground conditions)

Transport per truck: 600 units (1728 m²)



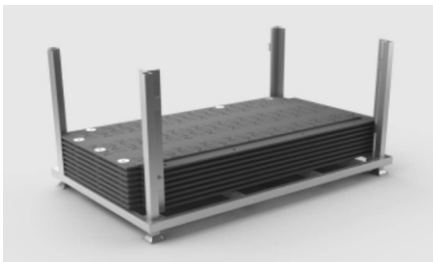
▮ The panels can be used as a temporary **access road** or **parking lot** for tons of wheel load.



► MRS Light - Operating Manual

■ MRS Light - Accessories

The **MRS - Light Ground Protection Panels** are equipped with the new, **2-way connectors** made entirely of metal and **M10 screws** connected.



Symbol photo

▮ Stacking Rack MRS Light

The stacking rack pallets are flexible and stackable storage systems.

Weight: 105 kg

Order No.: 50 901 000

(30 panels per pallet)



▮ Metal Double Connectors

completely made of metal

Weight: 0.3 kg

Order No.: 50 300 001

(60 pieces per pallet /
4 pieces per panel)



▮ M10 Screws / Washers

Commercially available screws are used with all products.

Weight: 0.032 kg (incl. washer)

Order No.: 50 900 002

(120 pieces per pallet /
2 pieces per panel)



► MRS Light - Operating Manual

Laying the panels (dismantle panels in reverse order)

Unloading from lorries:

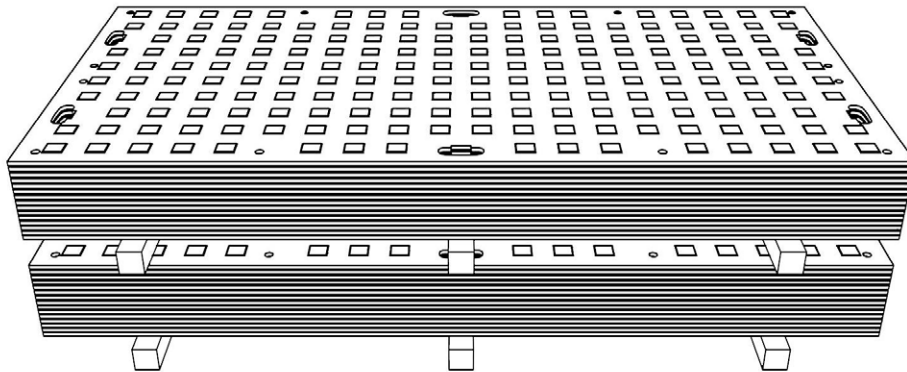
There are two ways of unloading the panels:

- Manual unloading by 2 persons. The handles provided in the panels make loading and unloading easy.
- Stacks of panels can be unloaded using a forklift truck:
Care should only be taken to ensure that the forks are long enough (at least 100 cm) and that the individual panels are made safe to stop them falling.

Storage:

The panels should be stacked no more than 20 per stack. It is advisable to stack no more than 3 stacks on top of each other. It is also a good idea to put 3 pieces of square timber between stacks.

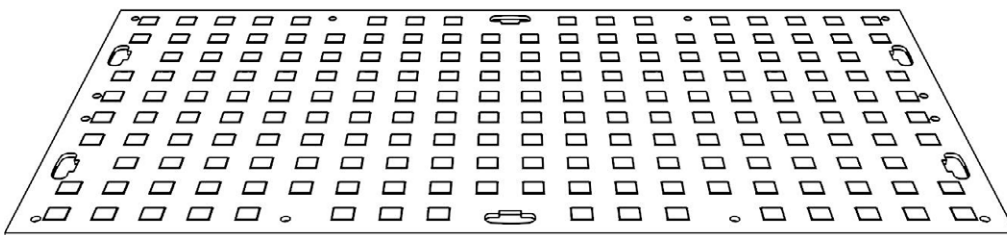
Panels can be easily handled by two persons.



The panel:

Material: break-resistant polyethylene
Dimensions: 1200 mm x 2400 mm x 12 mm
Weight: 36 kg

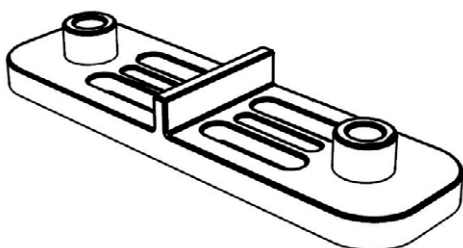
Connecting holes to screw panels together are positioned on all 4 sides of each panel. The short sides of each panel have handles.



► MRS Light - Operating Manual

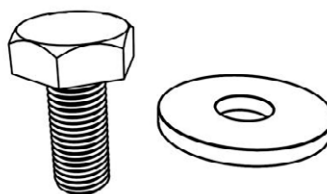
2-way connectors:

Material: PE polymer or metal
Dimensions: 185 mm x 185 mm x 10 mm
Weight: 0.1 kg per connector



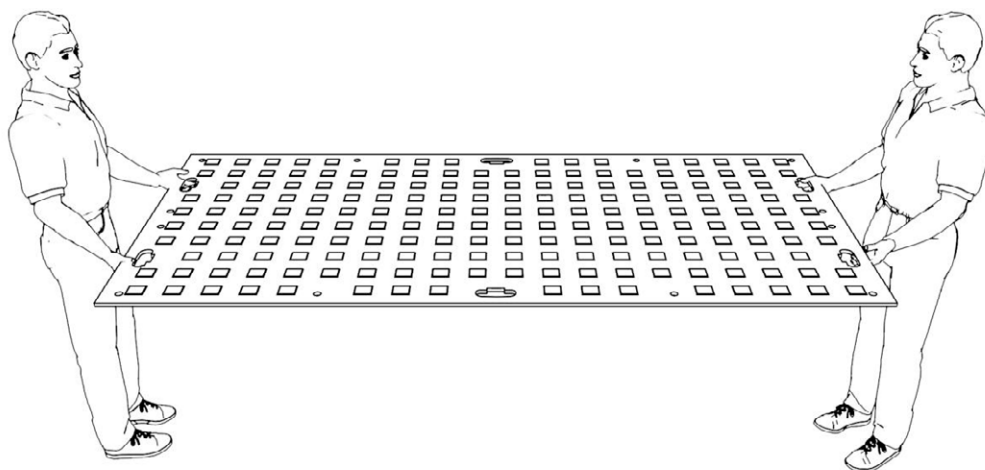
Connecting screws:

Threads: M10 screw/washer
Weight: 0.1 kg, including washer



Laying the panel

Panels can be simply taken off the stack by two persons and transported to the required location.

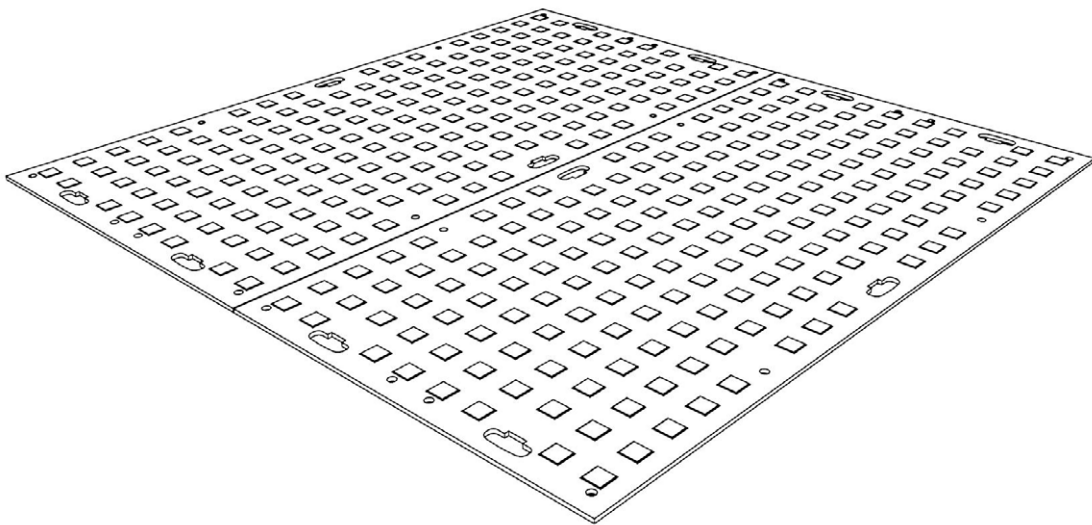


► MRS Light - Operating Manual

Laying and mounting panels:

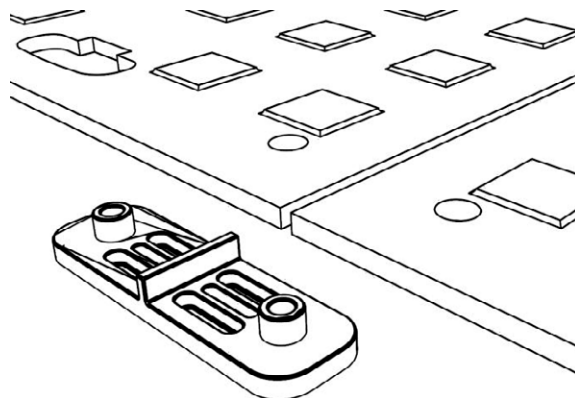
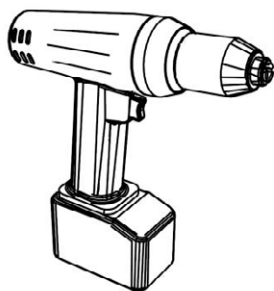
Simply lay panels on top of the floor area to be protected. No pre-treatment of the ground is required.

Panels can best be laid by two people working together.



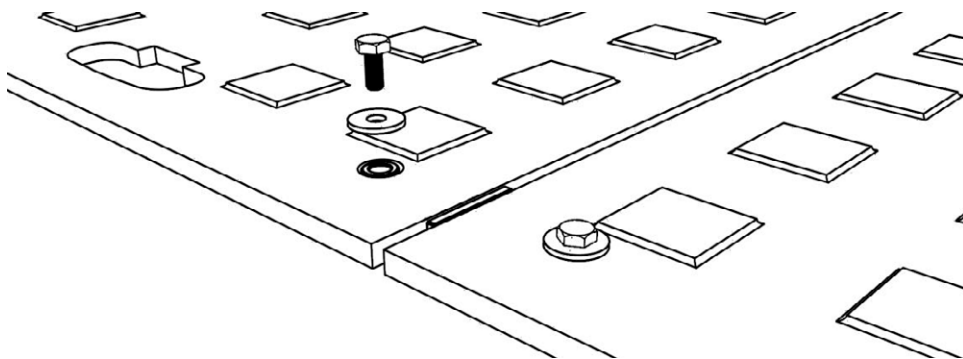
To screw the panels together, simply insert the connectors underneath the panels and then secure them with an M10x25 screw and washer from above.

The best way to screw panels together is to use a cordless screwdriver with an M10 screw bit.



► MRS Light - Operating Manual

Joining the panels together produces a contiguous surface that protects the ground and distributes pressure when driving on the surface with vehicles.



General notes

Surface treatment:

Panels should be cleaned on both sides after use. Panels can be stored in the open air. However, panels should not be exposed to severe temperatures below freezing. No special chemical cleaners or tools are required to clean the panels. A high-pressure cleaner is ideal for cleaning the panels.

Use as a temporary access road

The panels are very well suited for use as a temporary access road in open country. Depending on the surface, panels can withstand a load of up to 80 tons per m². The panels can be used with track vehicles. However, track vehicles should use chain guards whenever possible. Track vehicles should avoid rotating tracks in place, because depending on the pivot point and speed, panels may be torn apart at the screw connections.

Assembly

If the panels installed globally are relocated, the panels must be dismantled again.

TWF TIEFBAUTECHNIK

Rental | Sales | Service



MRS - LIGHT

Temporary and Mobile ground protection systems

TWF Tiefbautechnik GmbH
Düsseldorfer Straße 2, D-52525 Heinsberg
T: +49 2452 15678-0
F: +49 2452 15678-19
office@twf-tiefbautechnik.de
www.twf-tiefbautechnik.de

TWF International GmbH
Klingerstraße 8, A-1230 Wien
T: +43 1 8653333
F: +43 1 8653333-33
office@twf.at
www.twf.at

OPERATING MANUAL