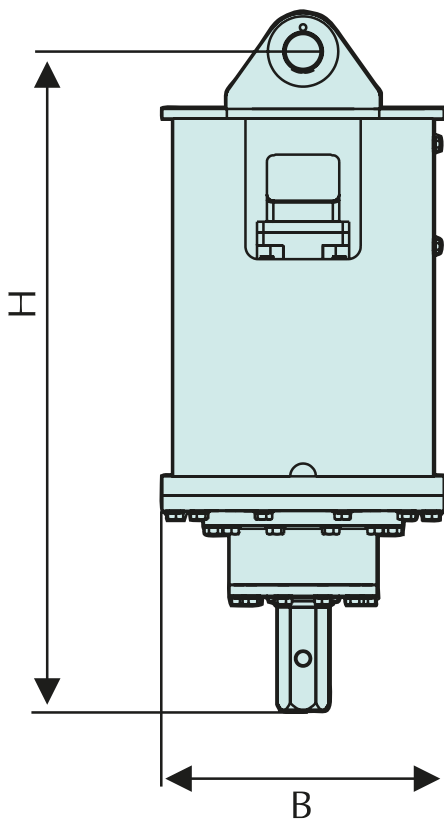


ABI Add-on Auger Drives BA/DBA

The **auger drive BA** or the **auger drive DBA with passage** can be operated on common hydraulic excavators. Together with casing twister cased boreholes installation is possible.

For the production of CFA piles a swivel for concreting must be mounted to the auger drive, so that immediate concreting is possible during the pulling procedure. The auger drive can be applied for ground release drilling, ground investigation, soldier pile installation, displacement augering, CFA piles, injection and soil improvement for foundations.



ABI Add-on Auger Drive BA 900

Technical data	Unit	BA 900
Torque	daNm	900
Revolutions	min ⁻¹	85
Static extraction force max.	kN	120
Hydraulic flow rate	l/min	180
Required hydr. power	kW	80
Nominal oil pressure	MPa	30
Total weight / transport weight	kg	415/515
Hexagon connection	mm	70

Dimension	Unit	BA 900
H1 Height	mm	1470
H2 Locking to bottom	mm	1305
B Width	mm	515
T Depth	mm	440
Transport dimension h / b / t	mm	1620/850/710