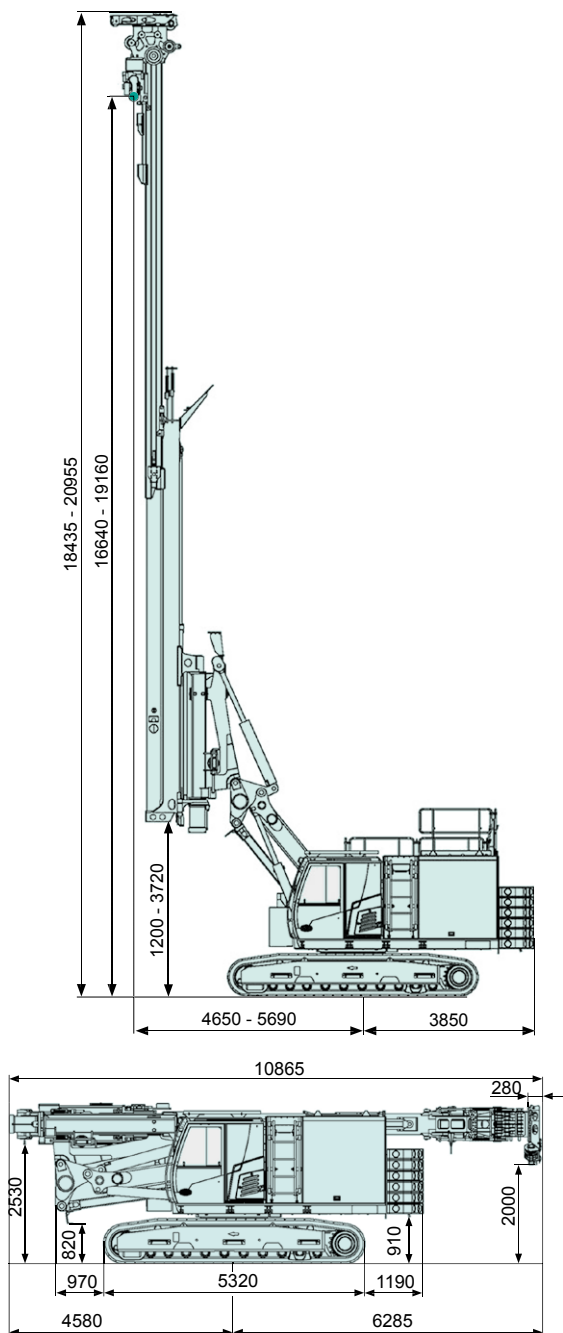


## ► ABI Mobilram

### ■ TM 16



| Technical data   | Unit        | TM 16         |
|--|-------------|---------------|
| Leader inclination front/rear                            | degree max. | 4/5           |
| Leader inclination laterally                             | degree max. | 4             |
| Leader slewing range                                     | degree max. | +/- 94        |
| Feed Force mast cylinder1 up / Down on guiding carriage  | kN max.     | 220/150       |
| Feed Force mast cylinder 2 up / Down on guiding carriage | kN max.     | 220/150       |
| Load capacity at 360 degrees operation                   | kg max.     | 9000          |
| Torque absorption  | kNm         | 60            |
| Auxiliary winch lifting capacity                         | kN max.     | 50            |
| Auxiliary winch rope speed                               | m/min       | 35            |
| Weight - depending on carrier unit**                     | to approx.  | 53            |
| VIBRATOR   |             | MRZV 22 VV    |
| <b>Dimension</b>   |             |               |
| Height min./max.   | mm          | 10900 - 20955 |
| Max. height up to rapid changing device                  | mm          | 19160         |
| Center to guide  | mm          | 4650 - 4690   |
| Center to back underground lowering depth                | mm          | 3850<br>2285  |
| Leader mast guide width                                  | mm          | 550           |
| Leader mast width  | mm          | 50            |
| Length / transport                                       | mm          | 10865         |
| Height / transport                                       | mm          | 3300          |
| Width / transport  | mm          | 3000          |

| BASE CARRIER                       | Unit            | SR 30 F           |
|------------------------------------|-----------------|-------------------|
| ENGINE                             |                 | CAT C9.3B         |
| Engine power EU Stage Tier 4 final | kW              | 340               |
| Hydraulic flow rate                | cm <sup>3</sup> | 2 x 225<br>1 x 95 |
| Nominal oil pressure               | bar             | 350               |
| Fuel tank capacity                 | l               | 790               |
| Telescopic undercarriage T31/350   |                 |                   |
| Pulling force                      | kN              | 490               |
| Track gauge                        | mm              | 2300 - 3500       |
| Outriggers - / Track shoes width   | mm              | 700               |

\*Optional track shoes width 800, 900 mm